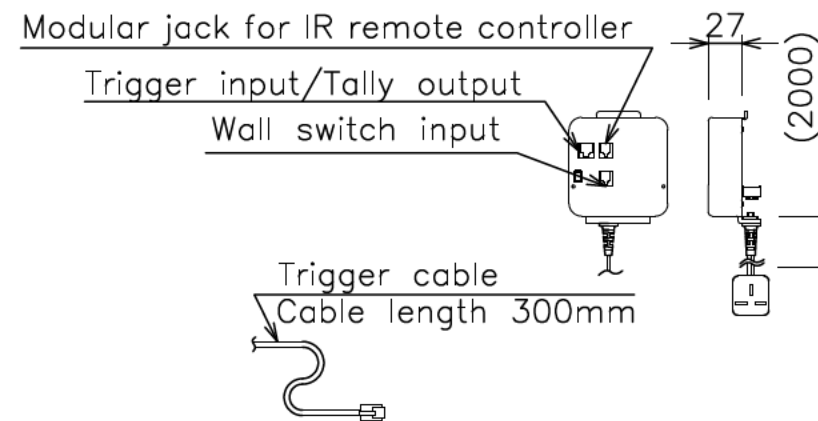
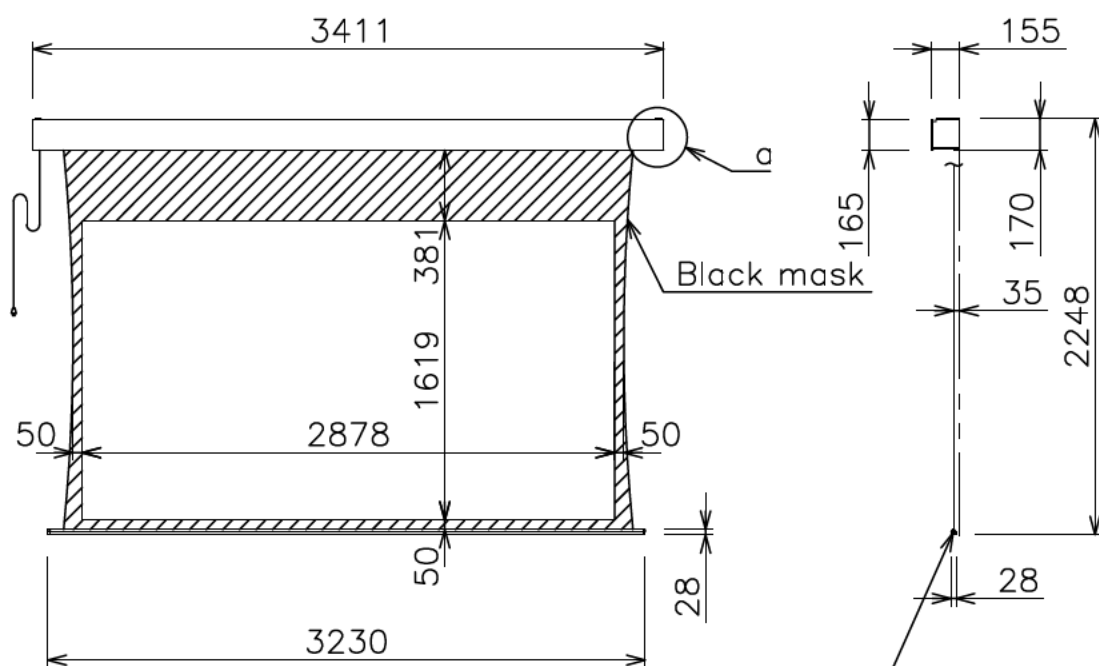
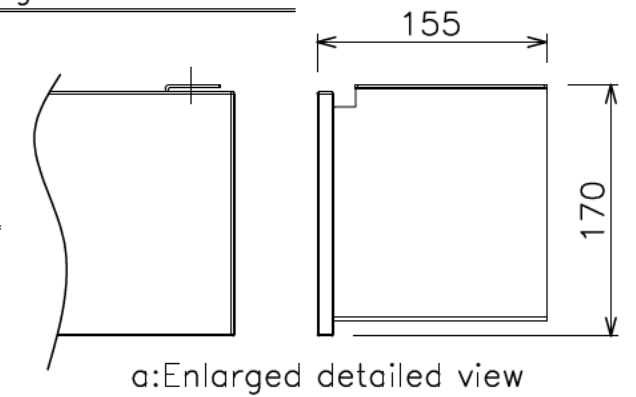
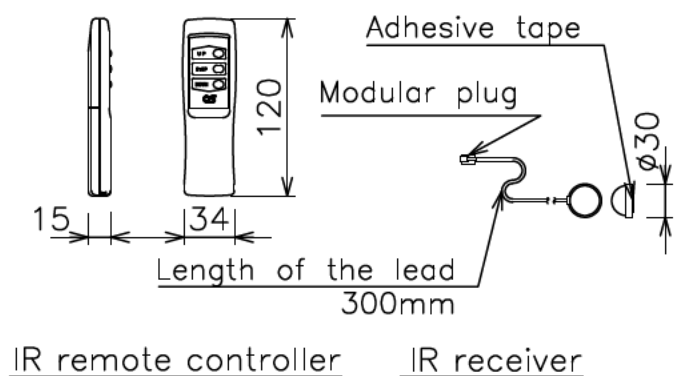


Side Bracket(S=1/5)



Modular type



IR remote controller IR receiver

PCB box and Operation switch

Tension adjustment knob

Voltage	AC220V~240V
Frequency	50Hz/60Hz
Current	0.59A
Motor rated operation time	4min
Travel speed	50Hz: 67 60Hz: 80 (mm/sec)

Screen materials	REIRODORU(HF102)
Screen case	Symmetry case
Front panel	Color: Black Detachable
Mechanism	Tension adjustment,side tension method
Weight	33.2Kg
Accessory	IR Remote controller Transmitter/Receiver x 1
Option	Wall switch(S-R2)

Note

- The switch box, the primary and secondary electric wirings, plumbings and wiring materials are required separately.
- The reception sensitivity may decrease and IR range may be shortend under the inverter lighting.
- External dimensions are rounded up after the decimal point.
- * Size shown is with side bracket.