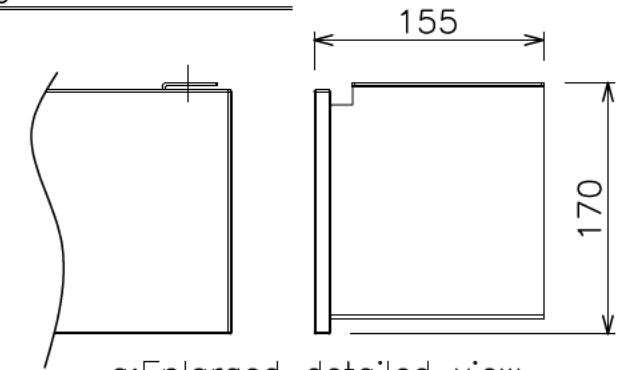
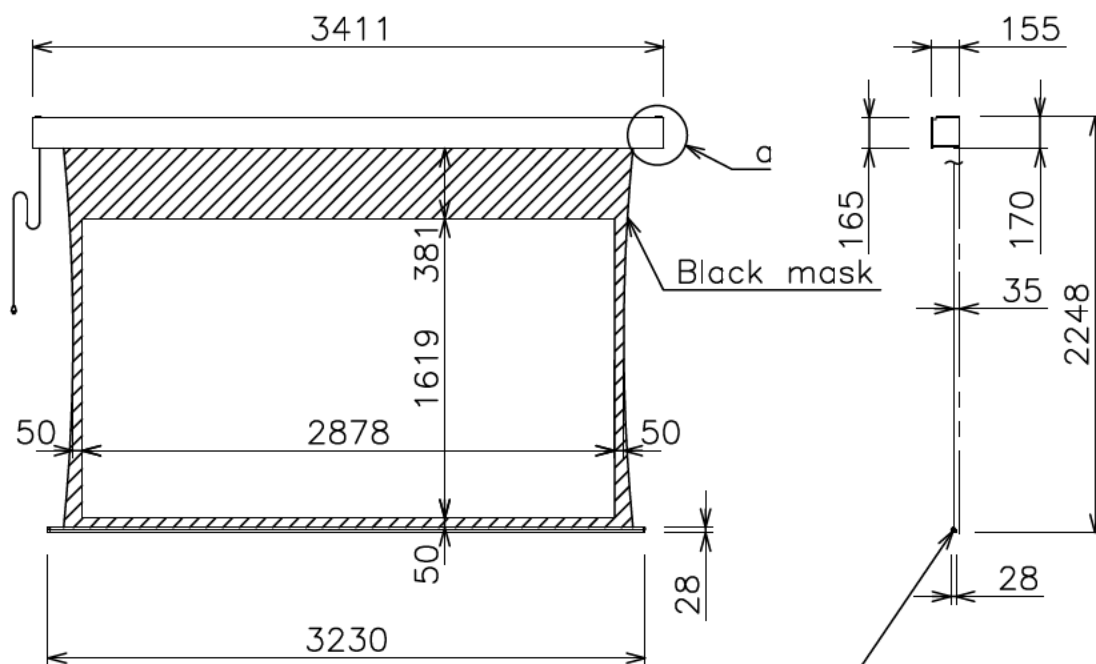


b:Enlarged detailed view

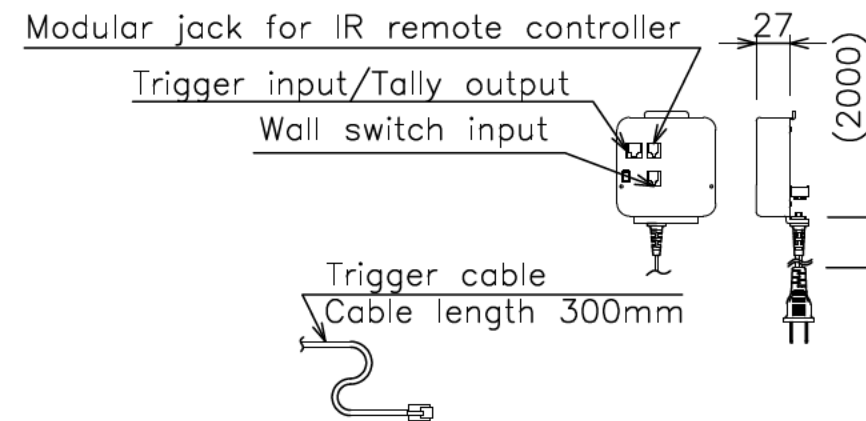


a:Enlarged detailed view

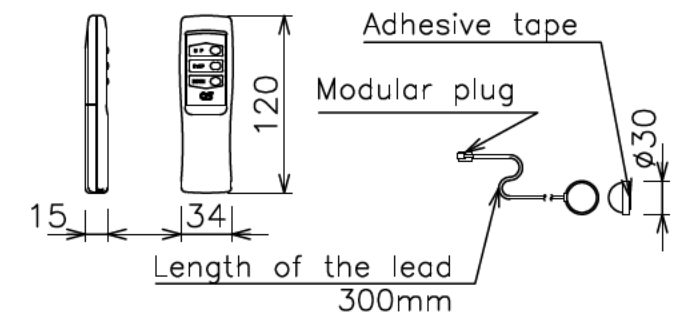
Side Bracket(S=1/5)



Tension adjustment knob



Modular type



IR remote controller IR receiver

PCB box and Operation switch

Voltage	AC100V~120V
Frequency	50Hz/60Hz
Current	0.96A
Motor rated operation time	4min
Travel speed	50Hz: 67 60Hz: 80 (mm/sec)

Screen materials	Pure MatIII Cinema (WF302)
Screen case	Symmetry case
Front panel	Color: Black Detachable
Mechanism	Tension adjustment,side tension method
Weight	33.2Kg
Accessory	IR Remote controller Transmitter/Receiver x1
Option	Wall switch(S-R2)

Note

- The switch box, the primary and secondary electric wirings, plumbings and wiring materials are required separately.
- The reception sensitivity may decrease and IR range may be shortend under the inverter lighting.
- External dimensions are rounded up after the decimal point.
- *Size shown is with side bracket.