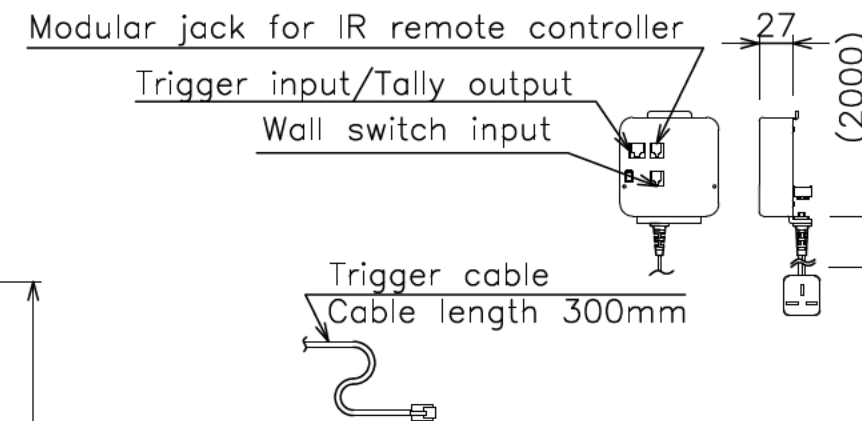
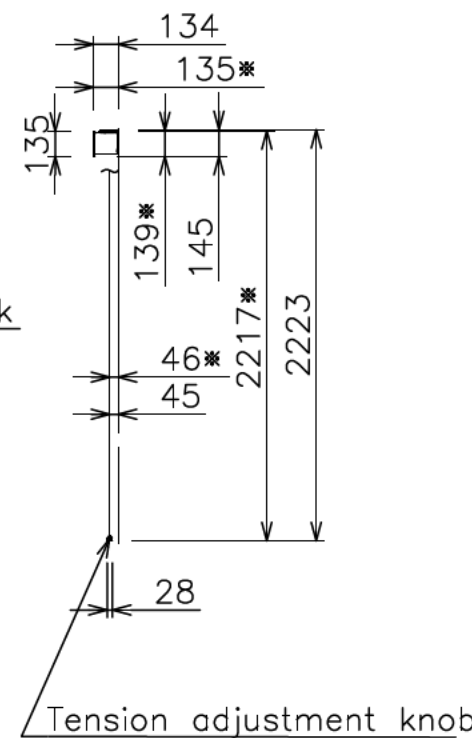
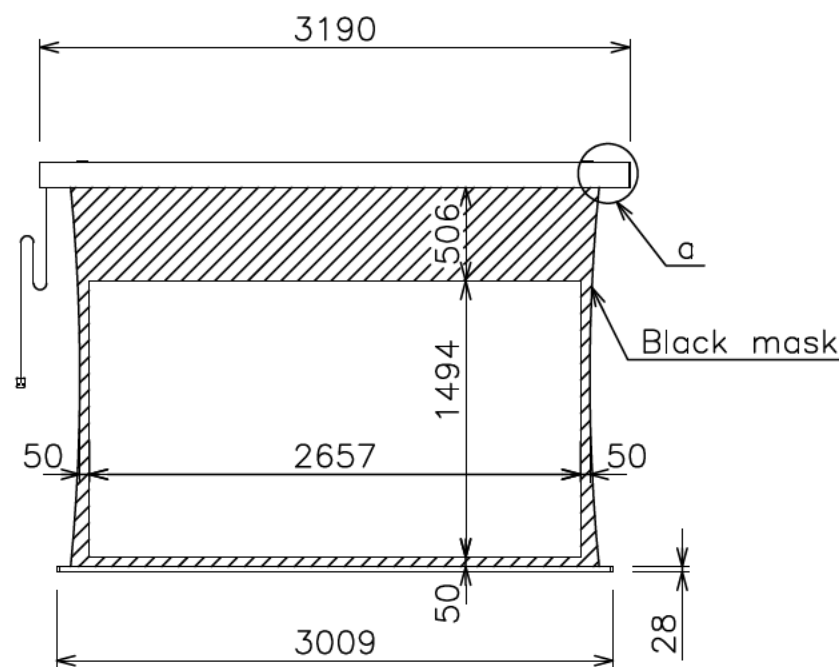
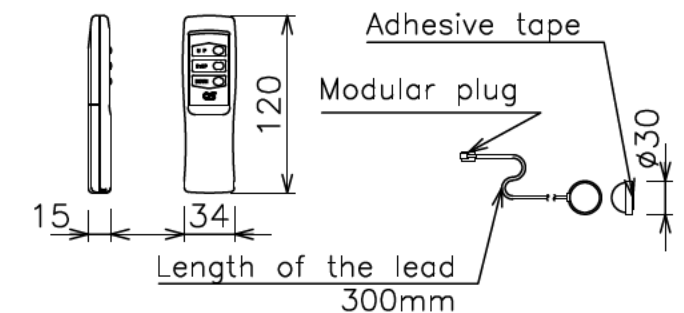


Sliding Bracket (S=1/8)

Side Bracket (S=1/8)



Modular type



IR remote controller IR receiver

PCB box and Operation switch

|                            |                           |
|----------------------------|---------------------------|
| Voltage                    | AC220V~240V               |
| Frequency                  | 50Hz/60Hz                 |
| Current                    | 0.49A                     |
| Motor rated operation time | 4min                      |
| Travel speed               | 50Hz:83 60Hz:100 (mm/sec) |

|                  |   |
|------------------|---|
| Screen materials | Pure MatIII Cinema (WF302)  |
| Screen case      | Symmetry case   |
| Front panel      | Color: Black<br>Detachable  |
| Mechanism        | Tension adjustment, side tension method   |
| Weight           | 20.1Kg  |
| Accessory        | IR Remote controller Transmitter/Receiver x1<br>Sliding Bracket x2<br>Side Bracket x1 set<br>Truss tapping screws with cross hole(4x40) x6<br>Truss tapping screws with cross hole(4x12) x4 |
| Option           | Wall switch(S-R2)   |

- Note**
- The switch box, the primary and secondary electric wirings, plumbings and wiring materials are required separately.
  - The reception sensitivity may decrease and IR range may be shortened under the inverter lighting.
  - External dimensions are rounded up after the decimal point.
  - \*Size shown is with side bracket.