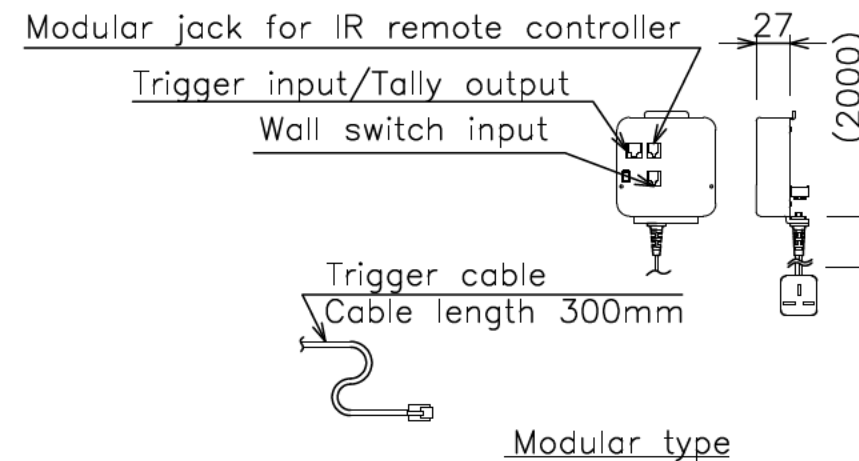
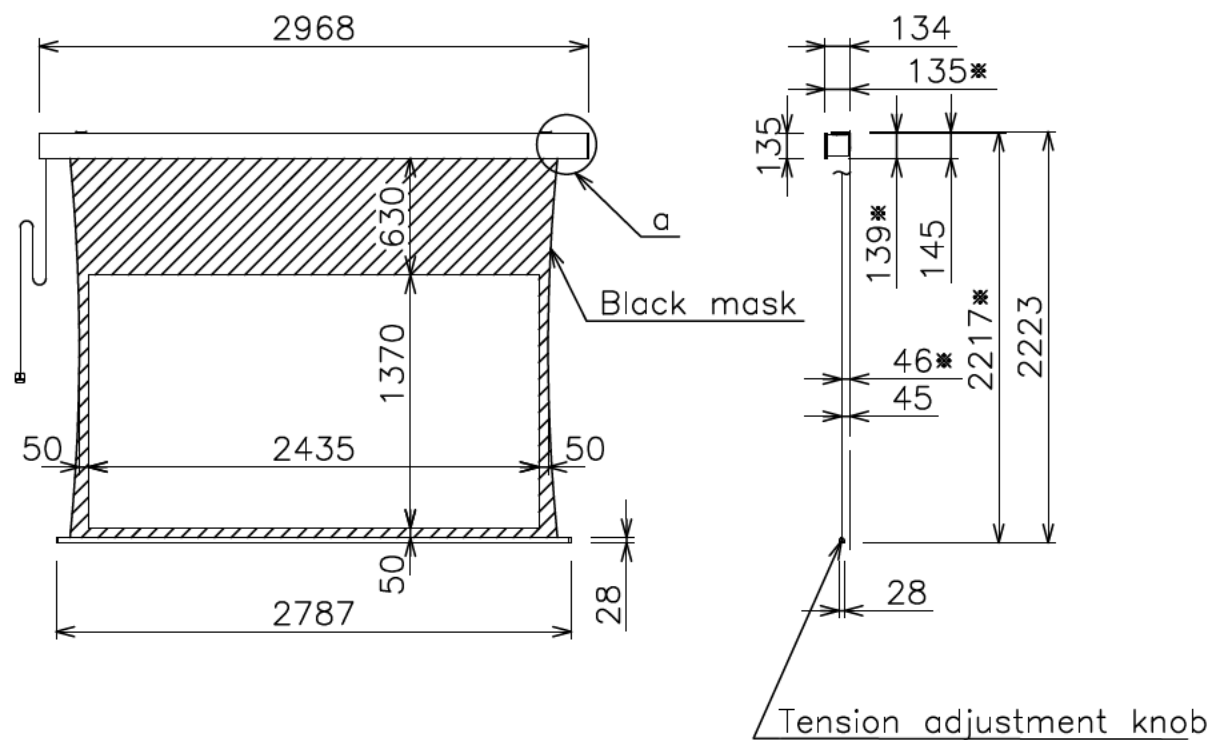
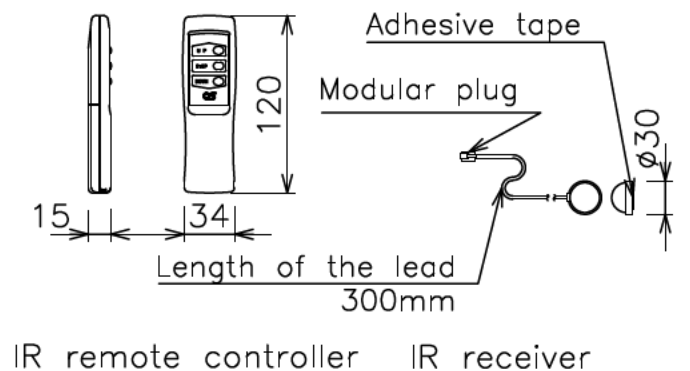


Sliding Bracket(S=1/8)

Side Bracket(S=1/8)



Modular type



IR remote controller IR receiver

PCB box and Operation switch

Voltage	AC220V~240V
Frequency	50Hz/60Hz
Current	0.49A
Motor rated operation time	4min
Travel speed	50Hz:83 60Hz:100 (mm/sec)

Screen materials	Pure MatIII Cinema (WF302)
Screen case	Symmetry case
Front panel	Color: Black Detachable
Mechanism	Tension adjustment,side tension method
Weight	19.0Kg
Accessory	IR Remote controller Transmitter/Receiver x1 Sliding Bracket x2 Side Bracket x1 set Truss tapping screws with cross hole(4x40) x6 Truss tapping screws with cross hole(4x12) x4
Option	Wall switch(S-R2)

Note

- The switch box, the primary and secondary electric wirings, plumbings and wiring materials are required separately.
- The reception sensitivity may decrease and IR range may be shortend under the inverter lighting.
- External dimensions are rounded up after the decimal point.
- *Size shown is with side bracket.