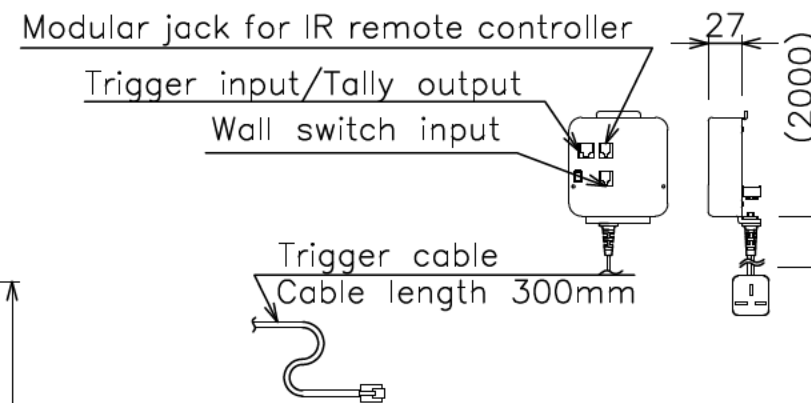
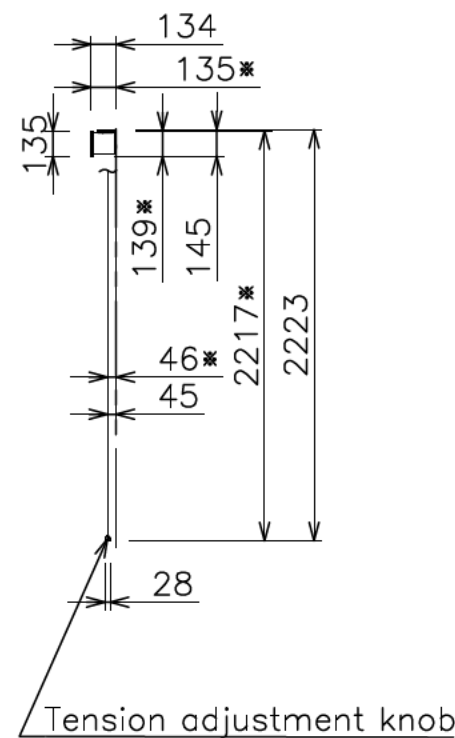
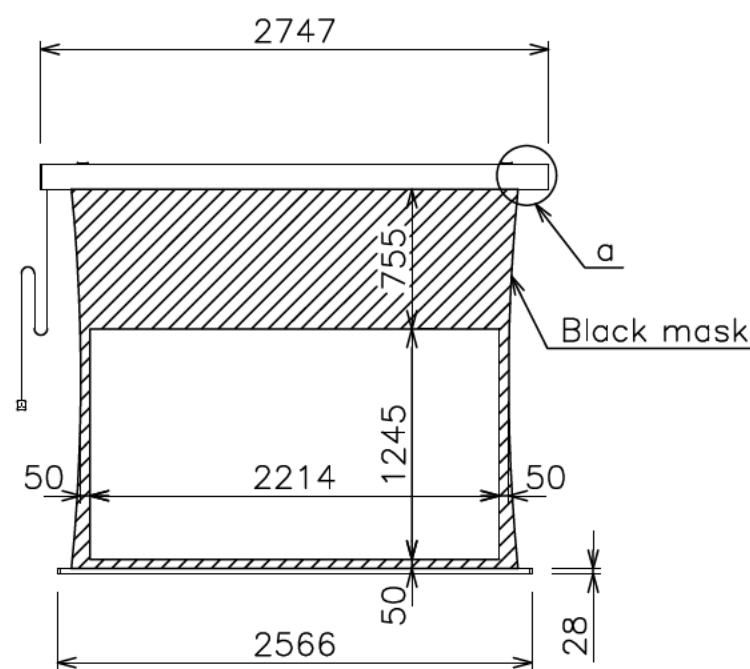
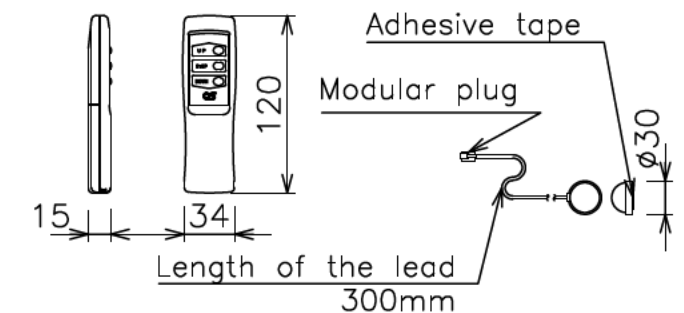


Sliding Bracket(S=1/8)

Side Bracket(S=1/8)



Modular type



IR remote controller IR receiver

PCB box and Operation switch

| | |
|----------------------------|---------------------------|
| Voltage | AC220V~240V |
| Frequency | 50Hz/60Hz |
| Current | 0.49A |
| Motor rated operation time | 4min |
| Travel speed | 50Hz:83 60Hz:100 (mm/sec) |

| | |
|------------------|--|
| Screen materials | REIRODORU(HF102) |
| Screen case | Symmetry case |
| Front panel | Color: Black Detachable |
| Mechanism | Tension adjustment,side tension method |
| Weight | 17.9Kg |
| Accessory | IR Remote controller Transmitter/Receiver x 1 Sliding Bracket x 2 Side Bracket x 1 set Truss tapping screws with cross hole(4x40) x 6 Truss tapping screws with cross hole(4x12) x 4 |
| Option | Wall switch(S-R2) |

- Note**
- The switch box, the primary and secondary electric wirings, plumbings and wiring materials are required separately.
 - The reception sensitivity may decrease and IR range may be shortend under the inverter lighting.
 - External dimensions are rounded up after the decimal point.
 - * Size shown is with side bracket.