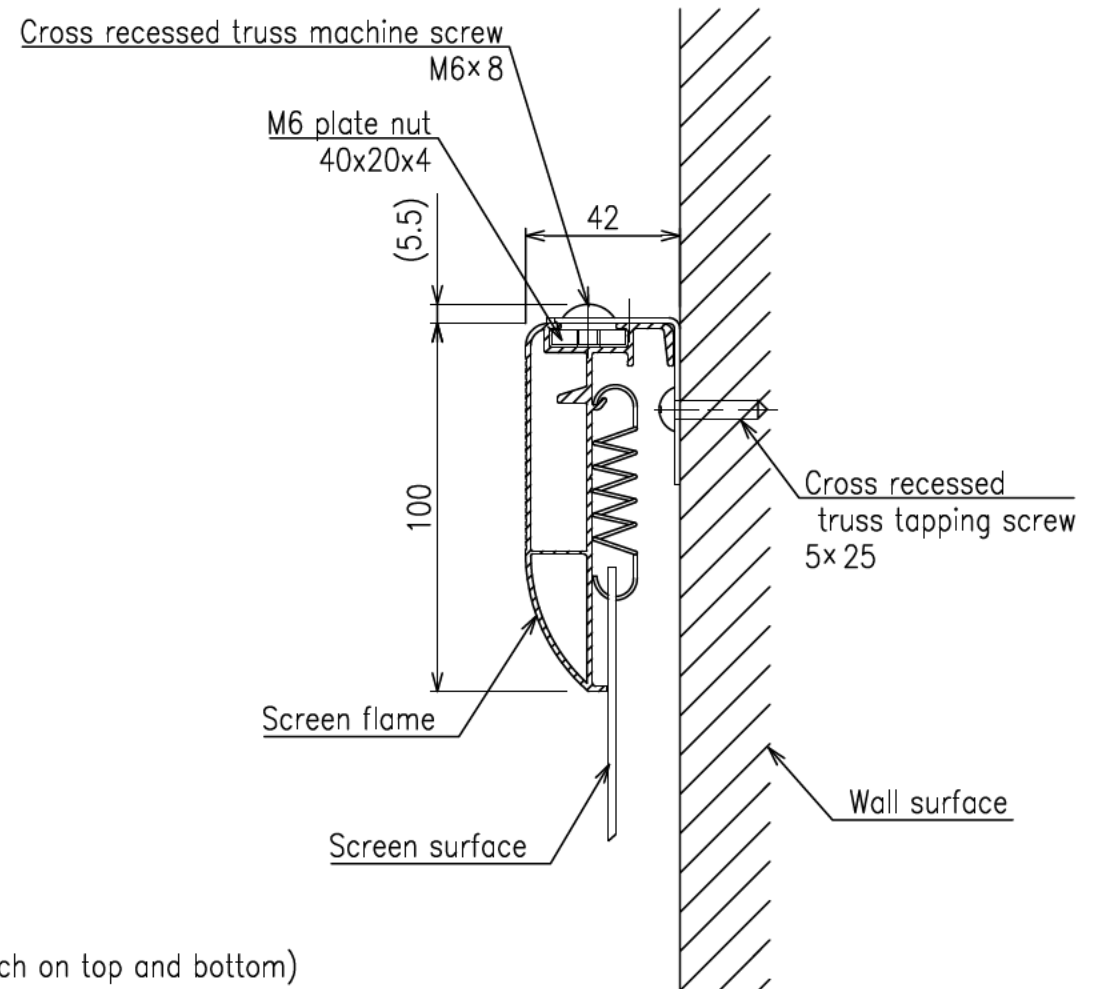
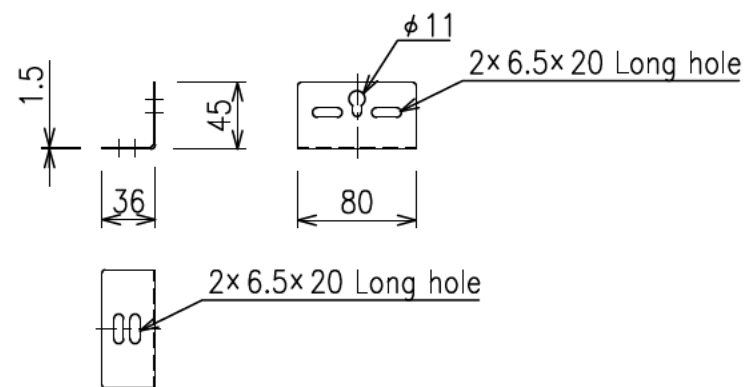


Screen bracket (2 places each on top and bottom)



Cross-section A-A



Detail of screen bracket S=1:5

Screen materials	SOUND MAT (WS102)
Material of flame	Aluminum
Screen frame	Matte alumite (black) Flocky frame (black)
Aspect ratio	HD type (16:9)
Accessory	Assembly parts set
Weight	13.5kg