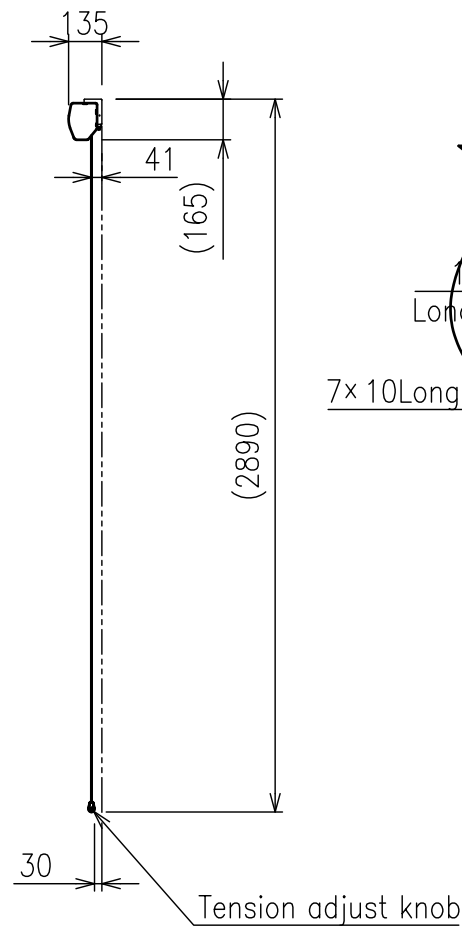
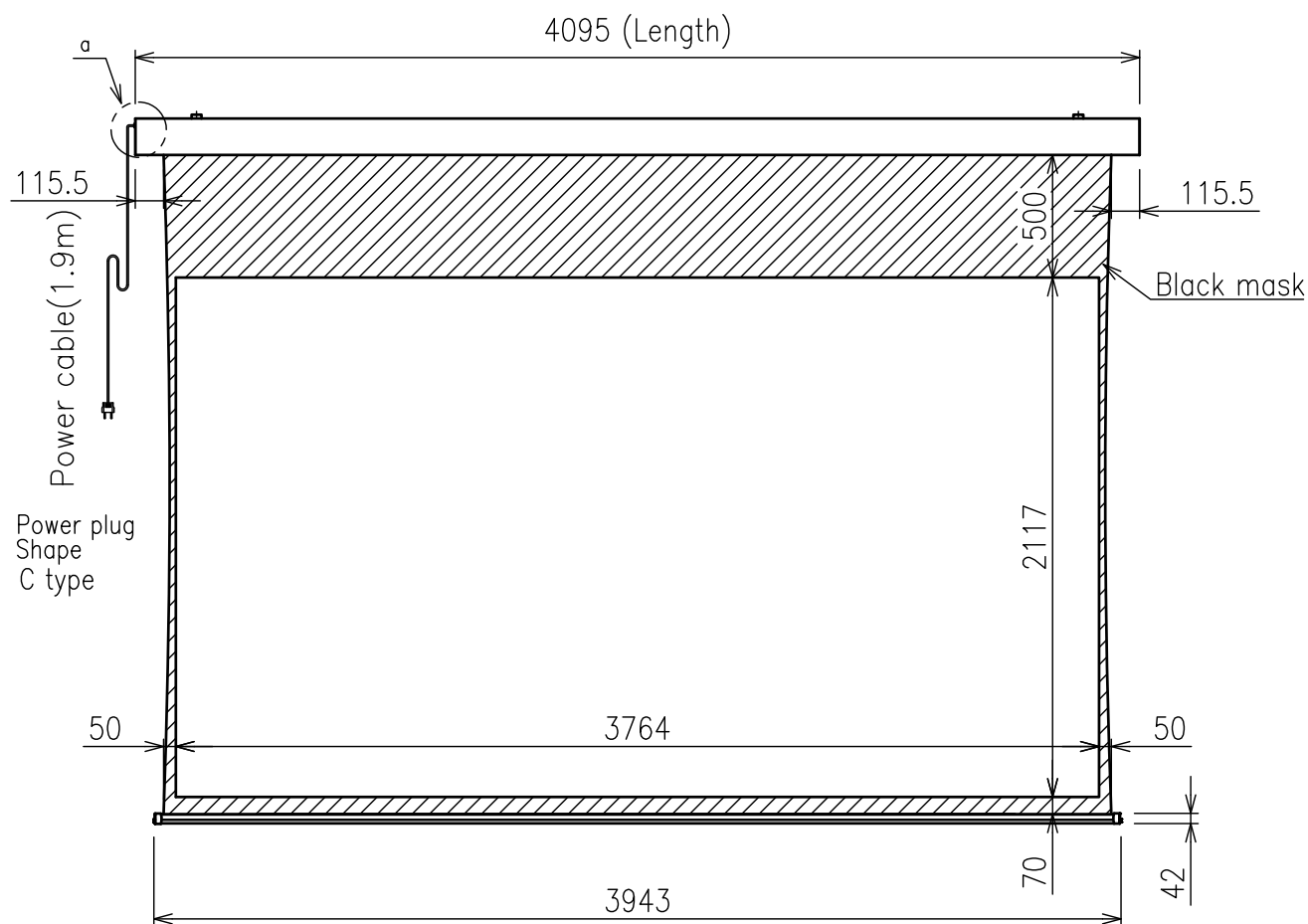
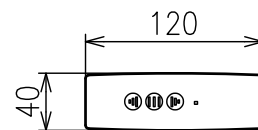


a: Enlarged detailed view



Motor	Built in roller type
Operating voltage	AC100~240V (50/60Hz)
Power Consumption	250 ~ 300W
Motor rated operation time	4min
Travel speed	50Hz:47・60Hz:57 (mm/sec)

Screen materials	White Mat screen (WV901)
Screen case	Symmetry case White
Weight	38kg
Accessory	Limit adjustment hexagonal wrench × 1. Handheld wireless remote controller × 1. Battery(CR2430-3V) × 1. Bracket × 2. Hoist ring × 2. Mounting screw set × 1



Handheld wireless remote controller

Note

- The switch box, the primary and secondary electric wirings, plumbings and wiring materials are required separately.
- External dimensions are rounded up after the decimal point.