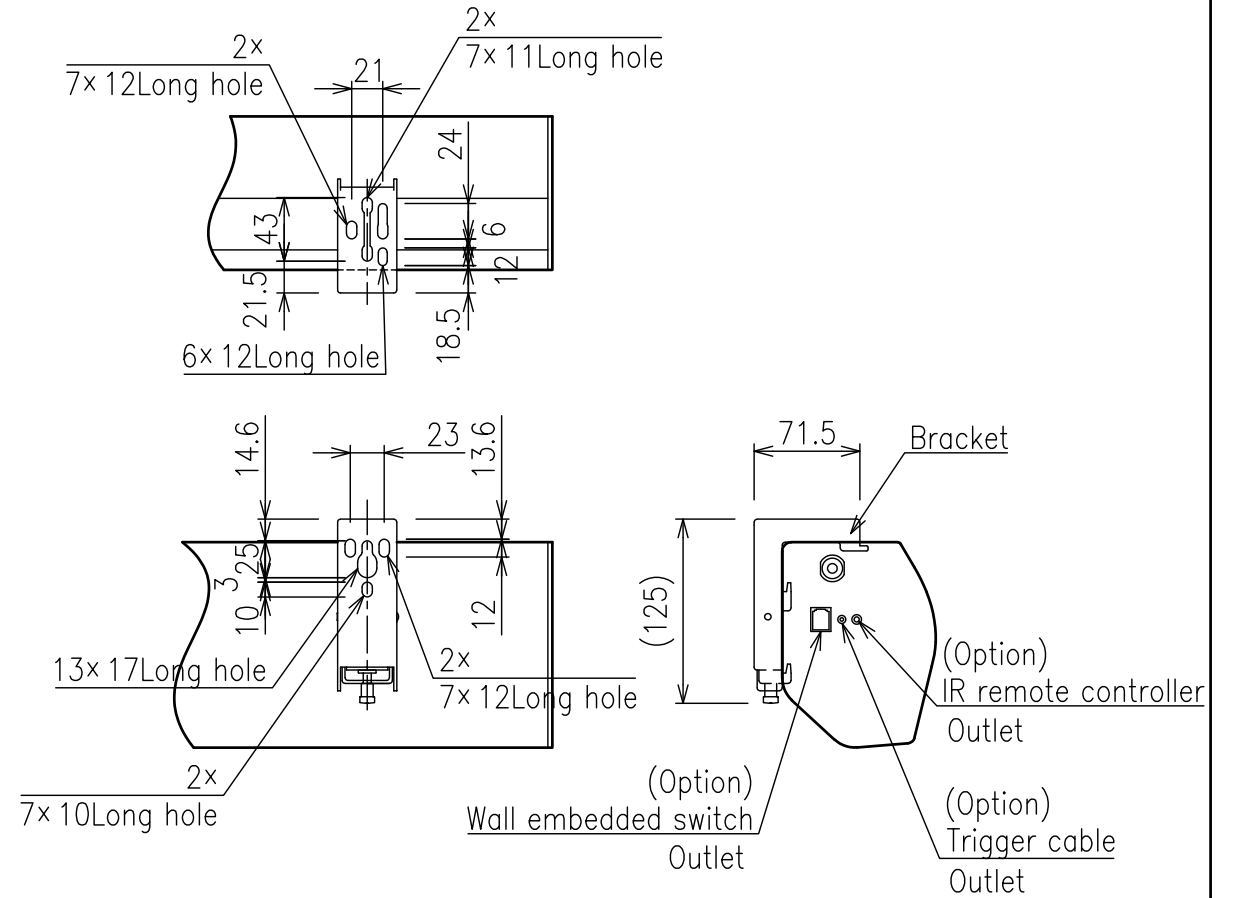


Handheld wireless remote controller



a: Enlarged detailed view

Motor	Built in roller type
Operating voltage	AC100~240V (50/60Hz)
Power Consumption	100 ~ 255W
Motor rated operation time	4min
Travel speed	50Hz:90 · 60Hz:108 (mm/sec)

Screen materials	White Mat screen (WV901)
Screen case	Symmetry case White
Weight	15.1kg
Accessory	Limit adjustment hexagonal wrench × 1, Handheld wireless remote controller × 1, Battery(CR2430-3V) × 1, Bracket × 2. Hoist ring × 2. Mounting screw set × 1

Note

- The switch box, the primary and secondary electric wirings, plumbings and wiring materials are required separately.
- External dimensions are rounded up after the decimal point.