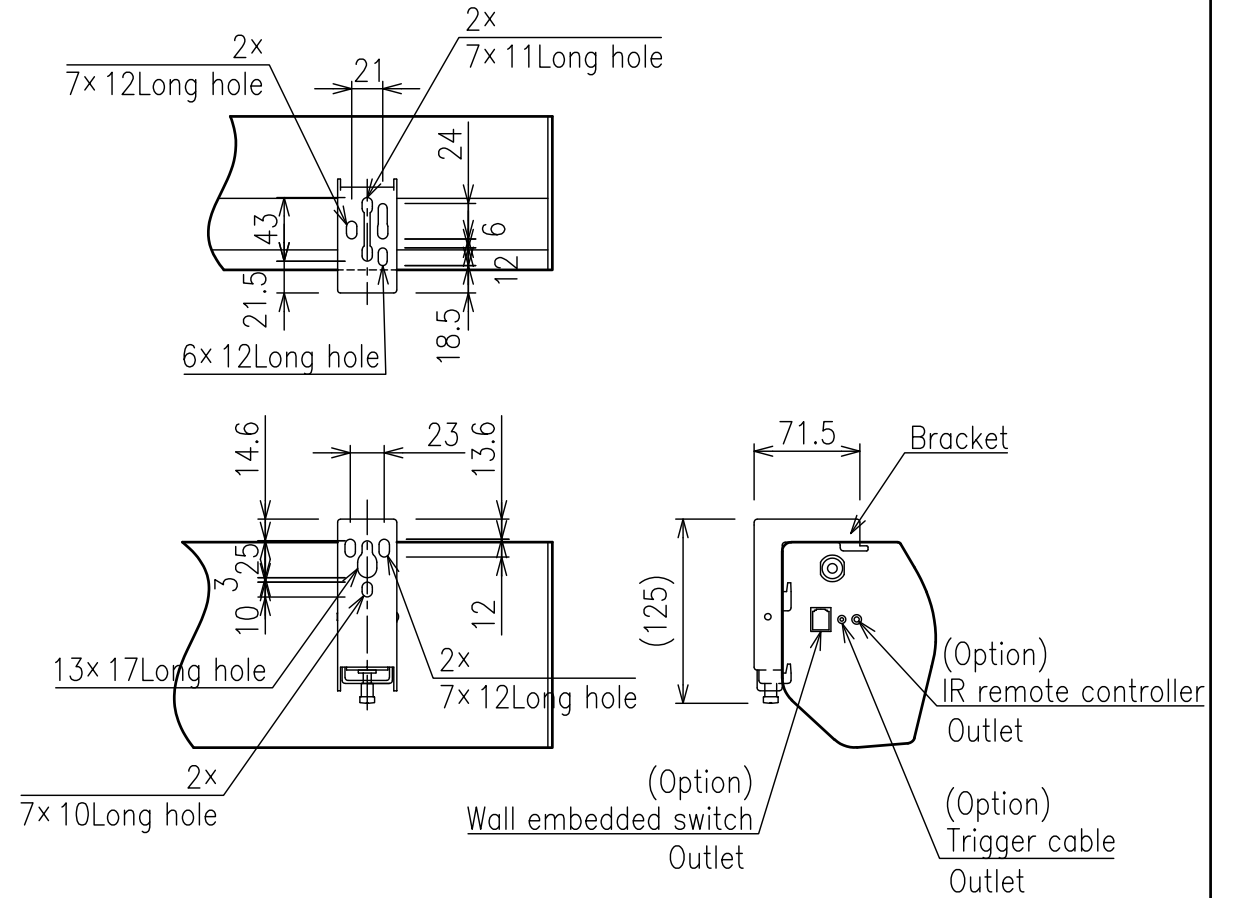


Handheld wireless remote controller



a: Enlarged detailed view

|                            |                             |
|----------------------------|-----------------------------|
| Motor                      | Built in roller type        |
| Operating voltage          | AC100~240V (50/60Hz)        |
| Power Consumption          | 100 ~ 255W                  |
| Motor rated operation time | 4min                        |
| Travel speed               | 50Hz:90 · 60Hz:108 (mm/sec) |

|                  |                                                                                                                                                                         |
|------------------|-------------------------------------------------------------------------------------------------------------------------------------------------------------------------|
| Screen materials | White Mat screen (WV901)                                                                                                                                                |
| Screen case      | Symmetry case<br>White                                                                                                                                                  |
| Weight           | 15.1kg                                                                                                                                                                  |
| Accessory        | Limit adjustment hexagonal wrench × 1,<br>Handheld wireless remote controller × 1,<br>Battery(CR2430-3V) × 1,<br>Bracket × 2. Hoist ring × 2.<br>Mounting screw set × 1 |

Note

- The switch box, the primary and secondary electric wirings, plumbings and wiring materials are required separately.
- External dimensions are rounded up after the decimal point.