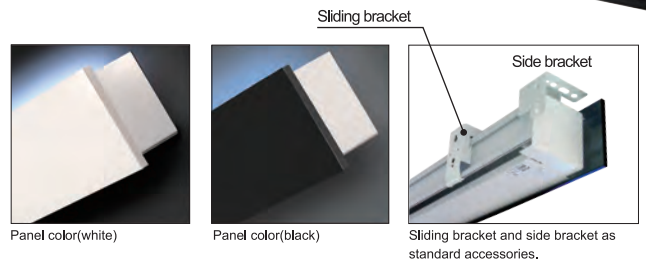
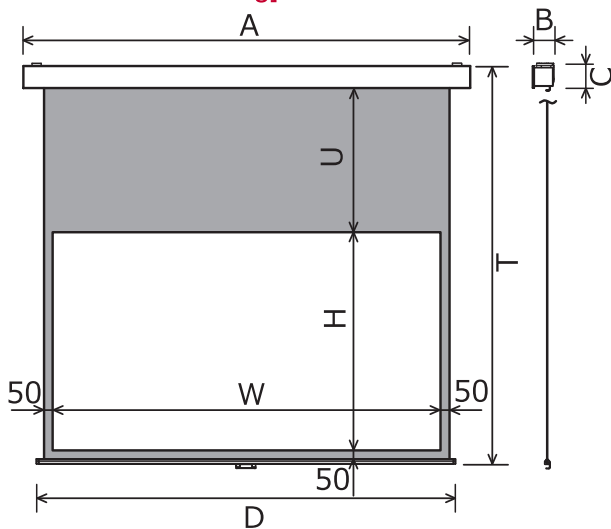


# Perfect for ceiling or wall mount. Simple front panel type screen. P selection electric screen.

- The simple panel design matches your interiors!
- Easy to know the center position as the case and fabric are symmetric design.
- Sliding bracket and side bracket are standard accessories.
- The front panel is detachable and exchangeable even after installation.
- Two choices of panel color-black or white.

## [Dimensional drawing]



## [HD 16:9]

Size(inch)	Model	Image size W×H(mm)	Length A(mm)	Height T(mm)	UBB U(mm)	Side mask (mm)	Depth B(mm)	Height when in stored C(mm)	Pipe length D(mm)	Weight(Kg):for WF302
80	SEP-080HM-W1A/B/C/D	1771×996	2118	2223	1004	50	134	145	1937	14.0(13.9)
90	SEP-090HM-W1A/B/C/D	1992×1121	2339		879				2158	15.1(15.0)
100	SEP-100HM-W1A/B/C/D	2214×1245	2561		755				2380	16.2(16.1)
110	SEP-110HM-W1A/B/C/D	2435×1370	2782		630				2601	17.3(17.2)
120	SEP-120HM-W1A/B/C/D	2657×1494	3004	2217	506	135	139	2823	18.3(18.3)	
130	SEP-130HM-W1A/B/C/D	2878×1619	3225	130+inch of WF302 is 2248	381	130+inch of WF302 is 155	130+inch of WF302 is 170	3044	19.5(30.7)	
140	SEP-140HM-W1A/B/C/D	3099×1743	3446		257			3265	20.6(32.6)	
150	SEP-150HM-W1A/B/C/D	3321×1868	3668		132			3487	21.7(-)	

※The numbers of (T),(B) and (C) above indicate when sliding bracket is used and the numbers below indicate when sliding bracket is used. (T),(B) and (C) of WF302 indicate when side bracket is used.

## [Fabric lineup]

Size(inch)	Model	HF102	WF801	WF302	WF204	WG103	WS102 WS103	BU201
80	SEP-080HM-W1A/B/C	-	●	●	●	●	●	●
90	SEP-090HM-W1A/B/C	-	●	●	●	●	●	●
100	SEP-100HM-W1A/B/C	-	●	●	●	●	●	●
110	SEP-110HM-W1A/B/C	-	●	●	●	●	●	●
120	SEP-120HM-W1A/B/C	-	●	●	●	●	●	●
130	SEP-130HM-W1A/B/C	-	●	●	●	●	●	●
140	SEP-140HM-W1A/B/C	-	●	●	●	●	●	●
150	SEP-150HM-W1A/B/C	-	-	-	-	●	●	●

Manufactured by

# OSM CO.,LTD.

278-3,kakehashi,Yamasaki-Cho,Shisou-Shi  
Hyogo,671-2523 Japan  
Tel.+81-790-64-5888 Fax.+81-790-62-9195

<https://www.os-worldwide.com/osm/>

株式会社OS