

STF

【Material lineup】

WV901 WS901 WS902

ASPECT RATIO
16:9

Flame retardancy

ULTRA SHORT THROW PROJECTOR RECOMMENDATION

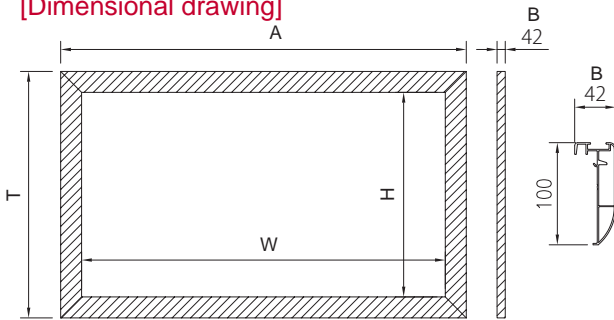
Fixed frame projection screen STF comes with high flatness.

The screen is available in three lineups as diffusive type and sound screen.

- High flatness and easy installation is available by adopting a spring fixed type.
- The spring flexibly responds to changes in the screen material environment due to temperature and humidity.
- Premium flocky is used on the frame surface.
- Easy to carry and assemble on site.
- High flatness screen is ideal for ultra short throw projectors.
- The screen is available in three lineups as diffusive type and sound screen.



[Dimensional drawing]



Flocky processed frame surface



Flexible springs are easily installed



Hook for hanging spring

[HD 16:9]

Diagonal size(inch)	Model	Image size WxH(mm)	Length A(mm)	Height T(mm)	Depth B(mm)
80	STF-080H-A	1771×996	1975	1211	42
90	STF-090H-A	1992×1121	2196	1336	42
100	STF-100H-A	2214×1245	2418	1460	42
110	STF-110H-A	2435×1370	2639	1585	42
120	STF-120H-A	2656×1494	2860	1709	42
130	STF-130H-A	2878×1619	3082	1834	42
140	STF-140H-A	3099×1743	3303	1958	42
150	STF-150H-A	3321×1868	3525	2083	42
170	STF-170H-A	3764×2117	3968	2332	42
200	STF-200H-A	4428×2491	4632	2706	42

[Material lineup]

Diagonal size(inch)	Model	Applicable screen materials
80	STF-080H-A	WV901 WS901 WS902
90	STF-090H-A	WV901 WS901 WS902
100	STF-100H-A	WV901 WS901 WS902
110	STF-110H-A	WV901 WS901 WS902
120	STF-120H-A	WV901 WS901 WS902
130	STF-130H-A	WV901 WS901 WS902
140	STF-140H-A	WV901 WS901 WS902
150	STF-150H-A	WV901 WS901 WS902
170	STF-170H-A	WV901 WS901 WS902
200	STF-200H-A	WV901 WS901 WS902

(NTSC (4:3), WXGA (16:10), Cinema Scope(2.35:1)are available on your request.)

Sold by

OSI CO., LTD.



20th Floor, Wah Hing Commercial Building, 283 Lockhart Road, Wanchai, Hong Kong

Tel.+852-3580-0087 Fax.+852-2367-4300

<https://hk.os-worldwide.com/> info-hk@os-worldwide.com