

SPX

【Material lineup】

WS102

WS103

SOUNDMAT

☉ Flame retardant

ASPECT RATIO
16:9

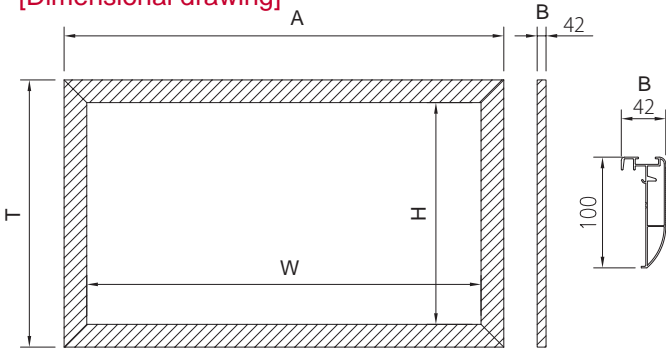
Flame retardancy

ULTRA SHORT THROW PROJECTOR RECOMMENDATION

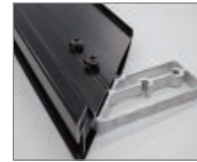
Aspect ratio 16:9, Corresponds to business scenes requiring high definition images.

- High flatness and easy installation is available by adopting a spring fixed system.
- The spring flexibly responds to changes in the screen material environment due to temperature and humidity.
- Premium flocky is used on the frame surface.
- Easy to carry and assemble on site.
- High flatness screen is ideal for ultra short throw projectors.

[Dimensional drawing]



Flocky processed frame surface



The frame is assembled using only four simple screws.



Hook for hanging spring



Flexible springs are easily installed

[HD 16:9]

Diagonal size(inch)	Model	Image size WxH(mm)	Length A(mm)	Height T(mm)	Depth B(mm)
80	SPX-080H-A	1771x996	1975	1211	42
90	SPX-090H-A	1992x1121	2196	1336	42
100	SPX-100H-A	2214x1245	2418	1460	42
110	SPX-110H-A	2435x1370	2639	1585	42
120	SPX-120H-A	2656x1494	2860	1709	42
130	SPX-130H-A	2878x1619	3082	1834	42
140	SPX-140H-A	3099x1743	3303	1958	42
150	SPX-150H-A	3321x1868	3525	2083	42

[Material lineup]

Diagonal size(inch)	Model	Applicable screen materials
80	SPX-080H-A	WS102
90	SPX-090H-A	WS102
100	SPX-100H-A	WS102
110	SPX-110H-A	WS102
120	SPX-120H-A	WS102
130	SPX-130H-A	WS103
140	SPX-140H-A	WS103
150	SPX-150H-A	WS103

(NTSC (4:3), WXGA (16:10), Cinema Scope(2.35:1) are available on your request.)

Sold by

OSI CO., LTD.



20th Floor, Wah Hing Commercial Building, 283 Lockhart Road, Wanchai, Hong Kong

Tel. +852-3580-0087 Fax. +852-2367-4300

<https://hk.os-worldwide.com/> info-hk@os-worldwide.com