

SEP

【Material lineup】
WG207 WS102 WS103 **SOUNDMAT** Flame retardant

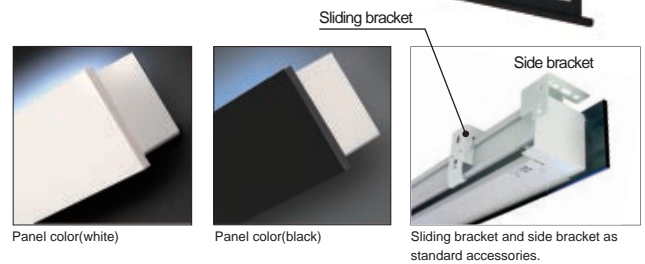
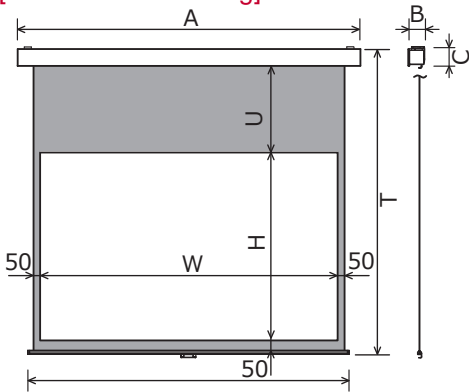


The electric projection screen with simple design is not required any installation environment at various business scene.

Compatible to 200 inches large screen.

- The simple panel design matches your interiors!
- Easy to know the center position as the case and fabric are symmetric design.
- Sliding bracket and side bracket are standard accessories.
- The front panel is detachable and exchangeable even after installation.
- Two choices of panel color black or white.

[Dimensional drawing]



[HD16:9] Please specify the model code for "x1" to refer "How to understand the model code".

Diagonal size(inch)	Model	Image size WxH(mm)	Length A(mm)	Height T(mm)	UBB U(mm)	Side mask (mm)	Depth B(mm)	Height when in stored C(mm)
80	SEP-080HM-x1x	1771x996	2118	2223 2217	1004	50	134 135	145 139
90	SEP-090HM-x1x	1992x1121	2339		879	50		
100	SEP-100HM-x1x	2214x1245	2561		755	50		
110	SEP-110HM-x1x	2435x1370	2782		630	50		
120	SEP-120HM-x1x	2657x1494	3004		506	50		
130	SEP-130HM-x1x	2878x1619	3225		381	50		
140	SEP-140HM-x1x	3099x1743	3446		257	50		
150	SEP-150HM-x1x	3321x1868	3668		132	50		

※The numbers of (T),(B) and (C) above indicate when sliding bracket is used and the numbers below indicate when sliding bracket is used. (T),(B) and (C) of WF302 indicate when side bracket is used.

[Material lineup]

Diagonal size(inch)	Model	Applicable screen materials
80	SEP-080HM-x1x	WS102
90	SEP-090HM-x1x	WS102
100	SEP-100HM-x1x	WS102
110	SEP-110HM-x1x	WS102
120	SEP-120HM-x1x	WS102
130	SEP-130HM-x1x	WS103
140	SEP-140HM-x1x	WS103
150	SEP-150HM-x1x	WG207 WS103
170	SEP-170HM-x1x	WG207
200	SEP-200HM-x1x	WG207

(NTSC (4:3), WXGA (16:10), Cinema Scope(2.35:1)are available on your request.)

Sold by
OSI CO., LTD.



20th Floor, Wah Hing Commercial Building, 283 Lockhart Road, Wanchai, Hong Kong

Tel.+852-3580-0087 Fax.+852-2367-4300

<https://hk.os-worldwide.com/> info-hk@os-worldwide.com

