

SEG

【Material lineup】

WV901 WS901 WS902

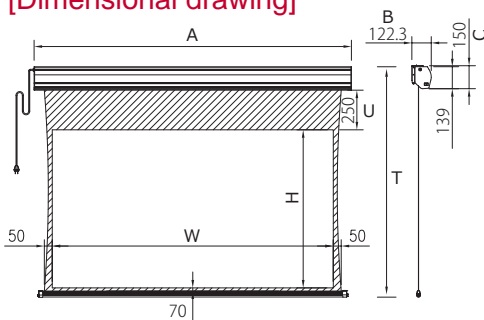


The tab tension electric screen with excellent cost performance is active in the business scene.

Providing “White mat” as a diffusive type.
Tab tension mechanism boasts high flatness.

- Tab tension mechanism provides high flatness.
- Available for 80" ~ 200" .
- Providing “White Mat” of diffusive screen material.
- It also suits for sound screen.

[Dimensional drawing]



[HD 16:9] Please specify the model code for "x1x" to refer "How to understand the model code".

Diagonal size(inch)	Model	Image size WxH(mm)	Length A(mm)	Height T(mm)	UBB U(mm)	Side mask (mm)	Depth B(mm)	Height when in stored C(mm)
80	SEG-080HM-W1x	1771x996	2000	1416				
90	SEG-090HM-W1x	1992x1121	2221	1541				
100	SEG-100HM-W1x	2214x1245	2443	1665				
110	SEG-110HM-W1x	2435x1370	2664	1790				
120	SEG-120HM-W1x	2656x1494	2885	1914	250	50	122.3	150
130	SEG-130HM-W1x	2878x1619	3107	2039				
140	SEG-140HM-W1x	3099x1743	3328	2163				
150	SEG-150HM-W1x	3321x1868	3550	2288				
170	SEG-170HM-W1x	3764x2117	3993	2634				
200	SEG-200HM-W1x	4428x2491	4657	3008				

[Material lineup]

Diagonal size(inch)	Model	Applicable screen materials
80	SEG-080HM-W1x	WV901 WS901 WS902
90	SEG-090HM-W1x	WV901 WS901 WS902
100	SEG-100HM-W1x	WV901 WS901 WS902
110	SEG-110HM-W1x	WV901 WS901 WS902
120	SEG-120HM-W1x	WV901 WS901 WS902
130	SEG-130HM-W1x	WV901 WS901 WS902
140	SEG-140HM-W1x	WV901 WS901 WS902
150	SEG-150HM-W1x	WV901 WS901 WS902
170	SEG-170HM-W1x	WV901 WS901 WS902
200	SEG-200HM-W1x	WV901 WS901 WS902

(NTSC (4:3), WXGA (16:10), Cinema Scope(2.35:1)are available on your request.)

Sold by

OSI CO., LTD.



20th Floor, Wah Hing Commercial Building, 283 Lockhart Road, Wanchai, Hong Kong

Tel.+852-3580-0087 Fax.+852-2367-4300

<https://hk.os-worldwide.com/> info-hk@os-worldwide.com