

**EB**

【Material lineup】  
WG207

ASPECT RATIO  
**16:9**

Flame retardancy

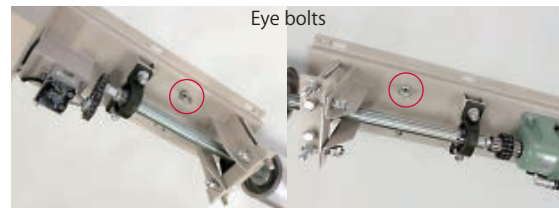
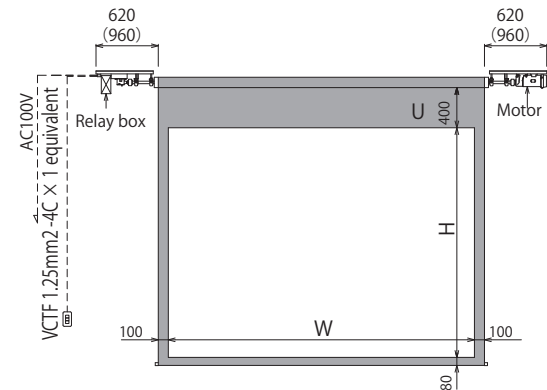
LARGE PROJECTION SCREEN

elec

# Original retention mechanism for flatness. Offering easy installation and safety. Large projection screen

- The burden of loading and mounting is reduced by split of motor, relay and roller parts.
- Equipped with a safety function that stops operation immediately even if the switch cable is cut off during ascent and descent.
- Applicable to upward motor type also.
- When mounting on a hanging rack.etc, it is also possible to respond to special custom made rack mount brackets.

[Dimensional drawing]

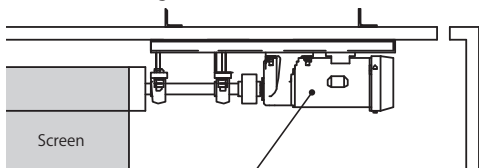


Eye bolts are standard equipment on the motor base and relay base. Pulleys can be used when hanging. A slot is adopted for temporal tacking of the base. Position adjustment is easy.

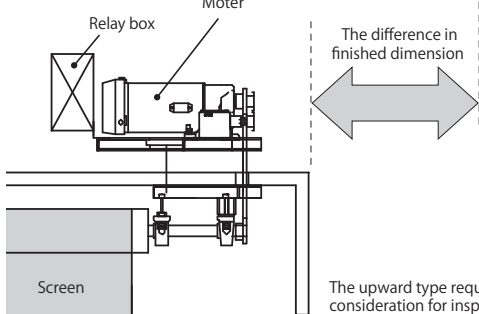
## Adjustment of motor position

It's adjustable the position of motor upward or downward in consideration of appearance and installation space.

■ Downward setting(Standard)



■ Upward setting



[HD 16:9]

Diagonal size(inch)	Model	Image size WxH(mm)	UBB U(mm)
200	EB-200H	4428×2491	400
250	EB-250H	5535×3113	400
300	EB-300H	6642×3736	400

[Material lineup]

Diagonal size(inch)	Model	Applicable screen materials
200	EB-200H	WG207
250	EB-250H	WG207
300	EB-300H	WG207

(EB is completely made to order.Please contact our sales to quote.)

Sold by

**OSI CO., LTD.**



20th Floor, Wah Hing Commercial Building, 283 Lockhart Road, Wanchai, Hong Kong

Tel.+852-3580-0087 Fax.+852-2367-4300

<https://hk.os-worldwide.com/> [info-hk@os-worldwide.com](mailto:info-hk@os-worldwide.com)