

Side tensioned projection screen



SEG

【Material lineup】
WV901

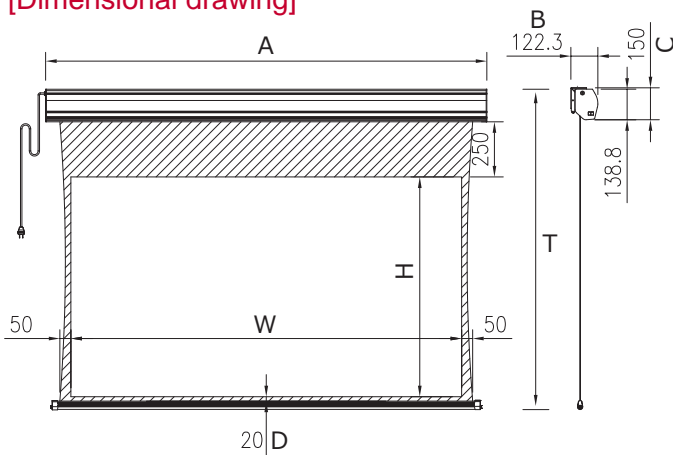
The side tensioned electric screen with excellent cost performance is active in the business scene.

Providing “White mat” as a diffusive type.
Side tension mechanism boasts high flatness.

- Side tensioned mechanism provides high flatness.
- Available for 80" ~ 200" .
- Providing “White mat” of diffusive screen material.



[Dimensional drawing]



[WXGA 16:10]

| Diagonal size(inch) | Model | Image size WxH(mm) | Length A(mm) | Height T(mm) | UBB U(mm) | Side mask (mm) | Depth B(mm) | Height when in stored C(mm) | Pipe length D(mm) | Weight (Kg) |
|---------------------|---------------|--------------------|--------------|--------------|-----------|----------------|-------------|-----------------------------|-------------------|-------------|
| 80 | SEG-080WM-K1B | 1723x1077 | 1952 | 1539 | 250 | 50 | 122 | 150 | 1267 | 15.2 |
| 90 | SEG-090WM-K1B | 1939x1211 | 2168 | 1673 | 250 | 50 | 122 | 150 | 1401 | 16.7 |
| 100 | SEG-100WM-K1B | 2154x1346 | 2383 | 1808 | 250 | 50 | 122 | 150 | 1536 | 18.3 |
| 110 | SEG-110WM-K1B | 2369x1481 | 2598 | 1943 | 250 | 50 | 122 | 150 | 1671 | 19.8 |
| 120 | SEG-120WM-K1B | 2585x1615 | 2814 | 2077 | 250 | 50 | 122 | 150 | 1805 | 21.1 |
| 130 | SEG-130WM-K1B | 2800x1750 | 3029 | 2212 | 250 | 50 | 122 | 150 | 2045 | 22.7 |
| 140 | SEG-140WM-K1B | 3015x1885 | 3244 | 2347 | 250 | 50 | 122 | 150 | 2075 | 24.3 |
| 150 | SEG-150WM-K1B | 3231x2019 | 3460 | 2481 | 250 | 50 | 122 | 150 | 2209 | 25.9 |
| 170 | SEG-170WM-K1B | 3662x2288 | 3891 | 2750 | 250 | 50 | 134 | 150 | 2478 | 29.3 |
| 200 | SEG-200WM-K1B | 4308x2692 | 4537 | 3154 | 250 | 50 | 134 | 150 | 2882 | 34.4 |

[Material lineup]

| Diagonal size(inch) | Model | Applicable screen materials |
|---------------------|---------------|-----------------------------|
| 80 | SEG-080WM-K1B | WV901 |
| 90 | SEG-090WM-K1B | WV901 |
| 100 | SEG-100WM-K1B | WV901 |
| 110 | SEG-110WM-K1B | WV901 |
| 120 | SEG-120WM-K1B | WV901 |
| 130 | SEG-130WM-K1B | WV901 |
| 140 | SEG-140WM-K1B | WV901 |
| 150 | SEG-150WM-K1B | WV901 |
| 170 | SEG-170WM-K1B | WV901 |
| 200 | SEG-200WM-K1B | WV901 |