

Tab tension projection screen



SEG

【Material lineup】

WV901

WS901

WS902

The tab tension electric screen with excellent cost performance is active in the business scene.

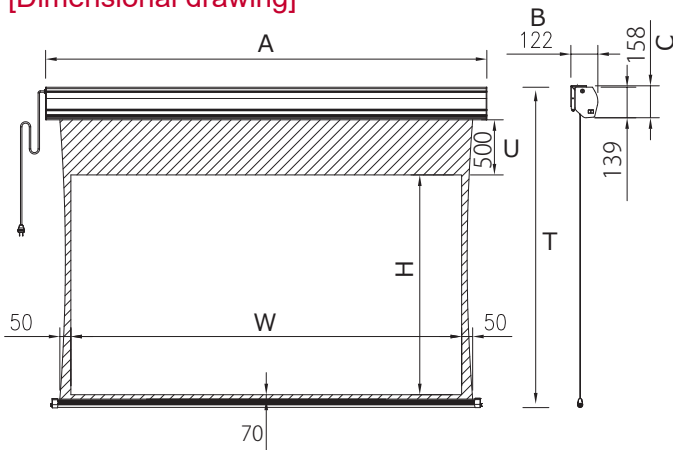
Providing “White mat” as a diffusive type.

Tab tension mechanism boasts high flatness.

- Tab tension mechanism provides high flatness.
- Available for 80" ~ 200" .
- Providing “White Mat” of diffusive screen material.
- It also suits for sound screen.



[Dimensional drawing]



[HD 16:9] Please specify the model code for "x1x" by following the model building on page 26.

Diagonal size(inch)	Model	Image size W×H(mm)	Length A(mm)	Height T(mm)	UBB U(mm)	Side mask (mm)	Depth B(mm)	Height when in stored C(mm)
80	SEG-080HM-W1x	1771×996	2000	1416				
90	SEG-090HM-W1x	1992×1121	2221	1541				
100	SEG-100HM-W1x	2214×1245	2443	1665				
110	SEG-110HM-W1x	2435×1370	2664	1790				
120	SEG-120HM-W1x	2656×1494	2885	1914	500	50	122	158
130	SEG-130HM-W1x	2878×1619	3107	2039				
140	SEG-140HM-W1x	3099×1743	3328	2163				
150	SEG-150HM-W1x	3321×1868	3550	2288				
170	SEG-170HM-W1x	3764×2117	3993	2634				
200	SEG-200HM-W1x	4428×2491	4657	3008				

[Material lineup]

Diagonal size(inch)	Model	Applicable screen materials
80	SEG-080HM-W1x	WV901 WS901 WS902
90	SEG-090HM-W1x	WV901 WS901 WS902
100	SEG-100HM-W1x	WV901 WS901 WS902
110	SEG-110HM-W1x	WV901 WS901 WS902
120	SEG-120HM-W1x	WV901 WS901 WS902
130	SEG-130HM-W1x	WV901 WS901 WS902
140	SEG-140HM-W1x	WV901 WS901 WS902
150	SEG-150HM-W1x	WV901 WS901 WS902
170	SEG-170HM-W1x	WV901 WS901 WS902
200	SEG-200HM-W1x	WV901 WS901 WS902