

INSTALLATION MANUAL

Ensure this installation manual is carefully read before use so as to install the product correctly.

Verify that you have the correct product and all the accessories.

Fix the extension pole in the specified position in advance.



Applicable products

- | | |
|--|----------------|
| Screen | Extension pole |
| • A1/A2,E1/E2 series (model: 080 - 120) • P1/P1S | |
| • AM-VB/HB series | |
| • EF-V/H series | |

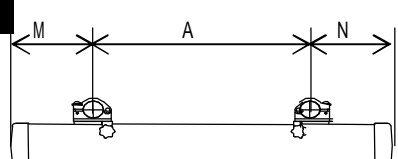
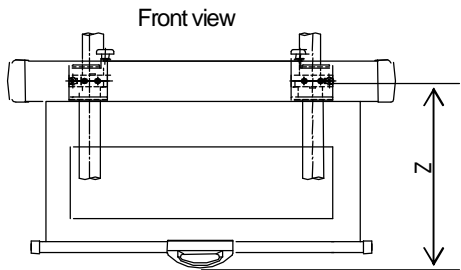
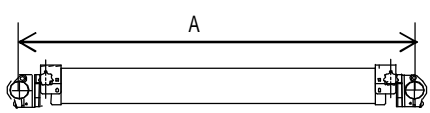
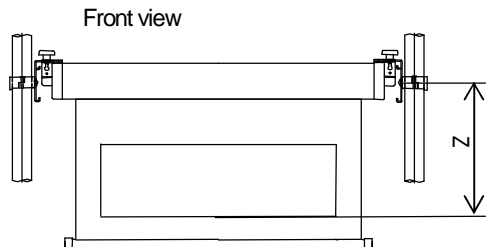
Safety Precaution

Ensure you follow the below Warnings and Cautions in order to correctly utilize the Screen.

⚠ CAUTION Indicates that failure to follow these safety precautions could result in bodily injury or damage to property.

⚠ CAUTION	
<p>⊘ Prohibited</p> <p>Do not install any screen not applicable to this product. Do not install this product on any other than the extension pole.</p> <p>It may result in unexpected accidents or the screen falling.</p>	<p>⊘ Prohibited</p> <p>Do not hang or suspend anything other than the screen from the installation kit.</p> <p>It may result in damage, the installation kit falling off or injury caused by the pole falling.</p>

Please note we bear no responsibility for any troubles or damages due to inadequate installation, incorrect handling or natural disasters.

Specifications	<p>Top view</p>  <p>Front view</p> 	<p>Top view</p>  <p>Front view</p> 																																																																															
<p>Applicable products</p> <p>A1,A2 E1,E2 AM-VB/HB EF-V/H</p>	<table border="1" style="margin: auto;"> <thead> <tr> <th rowspan="2">Model</th> <th colspan="2">A or more</th> <th colspan="2">M,N or less</th> <th rowspan="2">Z</th> </tr> <tr> <th>A</th> <th>Z</th> <th>A</th> <th>Z</th> </tr> </thead> <tbody> <tr> <td>A1</td> <td>080</td> <td>1350</td> <td>650</td> <td>1400</td> <td></td> </tr> <tr> <td>A2</td> <td>090</td> <td>1350</td> <td>800</td> <td>1525</td> <td></td> </tr> <tr> <td>E1</td> <td>100</td> <td>1800</td> <td>650</td> <td>1649</td> <td></td> </tr> <tr> <td>E2</td> <td>110</td> <td>1800</td> <td>800</td> <td>1774</td> <td></td> </tr> <tr> <td></td> <td>120</td> <td>2250</td> <td>650</td> <td>1898</td> <td></td> </tr> </tbody> </table>	Model	A or more		M,N or less		Z	A	Z	A	Z	A1	080	1350	650	1400		A2	090	1350	800	1525		E1	100	1800	650	1649		E2	110	1800	800	1774			120	2250	650	1898		<table border="1" style="margin: auto;"> <thead> <tr> <th rowspan="2">Model</th> <th colspan="2">AM</th> <th colspan="2">EF</th> </tr> <tr> <th>A</th> <th>Z</th> <th>A</th> <th>Z</th> </tr> </thead> <tbody> <tr> <td>V080</td> <td>1950</td> <td>1578 (1398)</td> <td>1992</td> <td>1428 (1398)</td> </tr> <tr> <td>V090</td> <td>2127</td> <td>1731</td> <td>2195</td> <td>1581</td> </tr> <tr> <td>V100</td> <td>2356</td> <td>1883 (1703)</td> <td>2398</td> <td>1733 (1703)</td> </tr> <tr> <td>H080</td> <td>2095</td> <td>1355</td> <td>2137</td> <td>1205</td> </tr> <tr> <td>H090</td> <td>2316</td> <td>1480</td> <td>2358</td> <td>1330</td> </tr> <tr> <td>H100</td> <td>2538</td> <td>1604</td> <td>2620</td> <td>1504</td> </tr> </tbody> </table>	Model	AM		EF		A	Z	A	Z	V080	1950	1578 (1398)	1992	1428 (1398)	V090	2127	1731	2195	1581	V100	2356	1883 (1703)	2398	1733 (1703)	H080	2095	1355	2137	1205	H090	2316	1480	2358	1330	H100	2538	1604	2620	1504
Model	A or more		M,N or less		Z																																																																												
	A	Z	A	Z																																																																													
A1	080	1350	650	1400																																																																													
A2	090	1350	800	1525																																																																													
E1	100	1800	650	1649																																																																													
E2	110	1800	800	1774																																																																													
	120	2250	650	1898																																																																													
Model	AM		EF																																																																														
	A	Z	A	Z																																																																													
V080	1950	1578 (1398)	1992	1428 (1398)																																																																													
V090	2127	1731	2195	1581																																																																													
V100	2356	1883 (1703)	2398	1733 (1703)																																																																													
H080	2095	1355	2137	1205																																																																													
H090	2316	1480	2358	1330																																																																													
H100	2538	1604	2620	1504																																																																													
<p>Dimensions in brackets indicate those for cloths with a pearly surface.</p> <p>* Specifications and design are subject to change without notice in product improvement.</p>																																																																																	

Parts list

No.	Name of parts	Quantity
1	Screen installation kit (left)	1pc
2	Screen installation kit (right)	1pc
3	Knob bolt (M6 x 16)	2pcs
4	Hexagonal bar spanner	1pc



Installation guideline

[Introduction]

Check that the screw is tight. If it is loose, tighten it with the attached hexagonal bar spanner.

1. Joint with pole

Fix the pole in the specified position in advance.

For positioning, refer to the A dimension of the applicable table for each screen or the instructions included with the extension pole.

Join the screen installation kit to the pole using the following procedure.

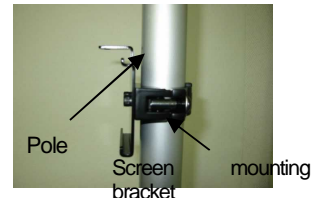
- 1) After loosening the button bolt with the hexagonal bar spanner, level it to open the clamp.
- 2) Decide the installation position of the screen in advance and wrap the clamp around the pole.
- 3) Position the button bolt and tighten it with the hexagonal bar spanner.

* Place the mounting bracket at the front for A1, A2, and E1, E2.)

* Place the bracket as shown in the figure below, not at the front for EF-V/H,AM-VB/HB.



Clamp



Pole
Screen bracket
mounting

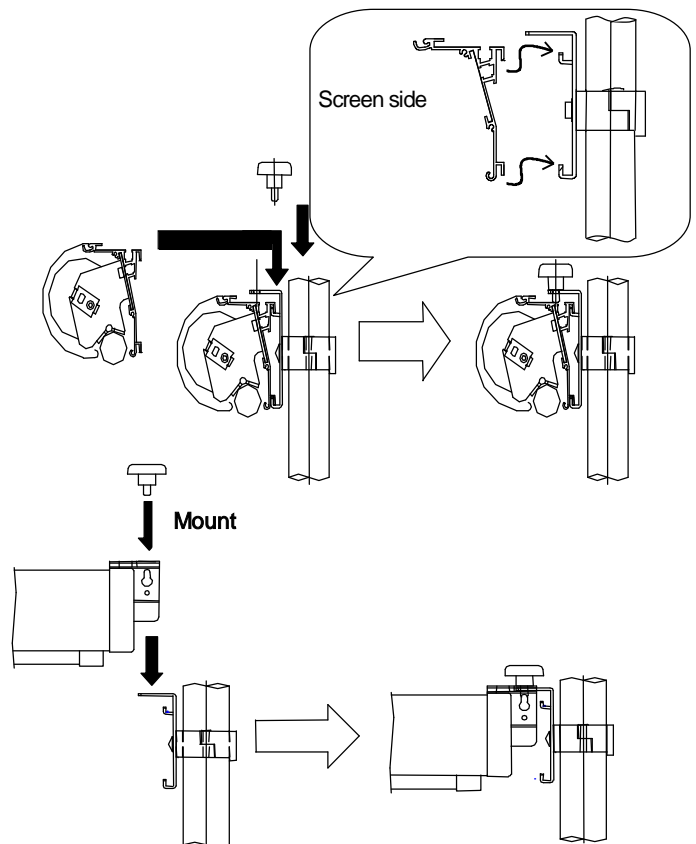
2. Screen installation

- For A1, A2
- For E1, E2

- 1) Insert the mounting bracket of the screen into the holder from above.
- 2) Screw in the knob bolt to fix the screen in place.

- For AM-VB/HB
- For EF-V/H

- 1) Place the screen on the screen mounting bracket.
- 2) Screw in the knob bolt to fix the screen in place.



OSI CO., LTD.

2

Unit 1427, 14/F, Ocean Centre, 5 Canton Road,
Tsim Sha Tsui, Kowloon, Hong Kong

PHONE : +852 3580 0087 FAX : +852 2367 4300

E mail : info_hk@osscreen.com

U R L : http://www.osscreen.com