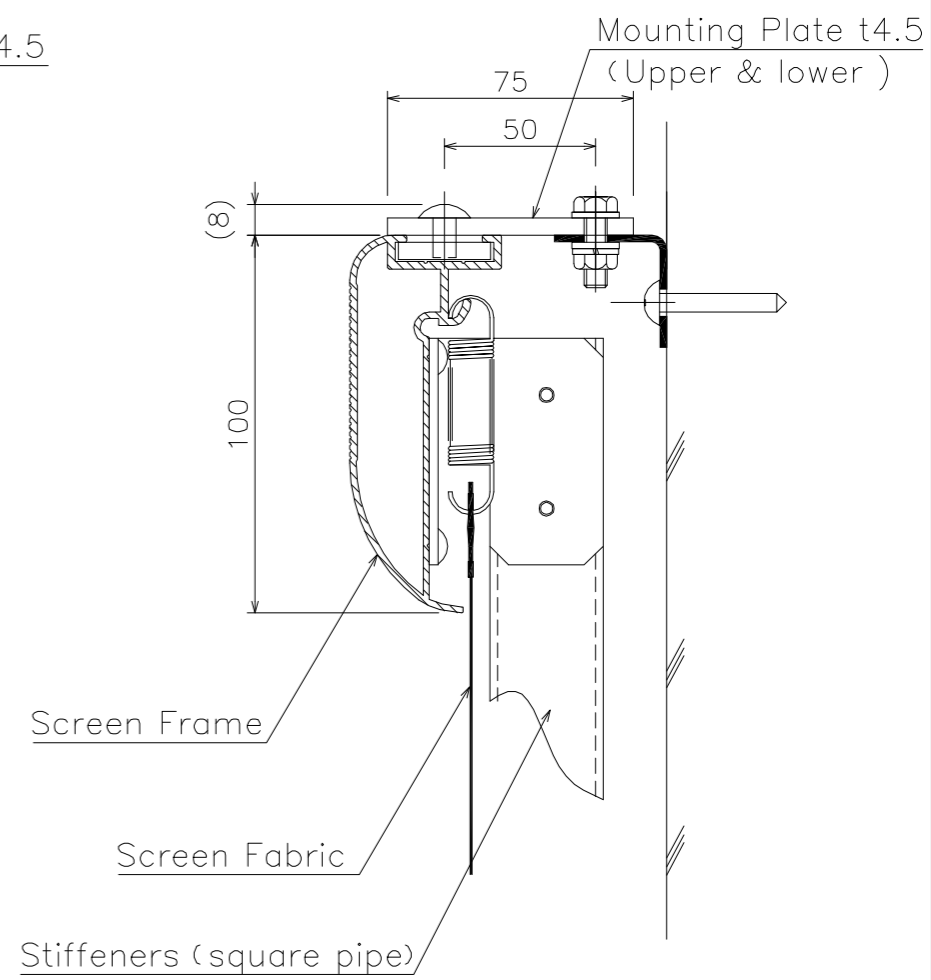
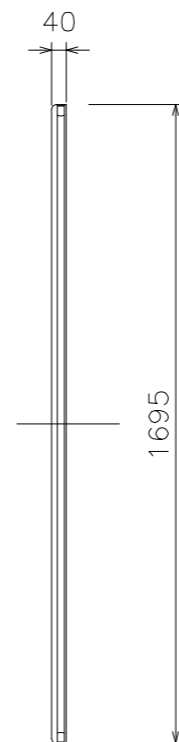
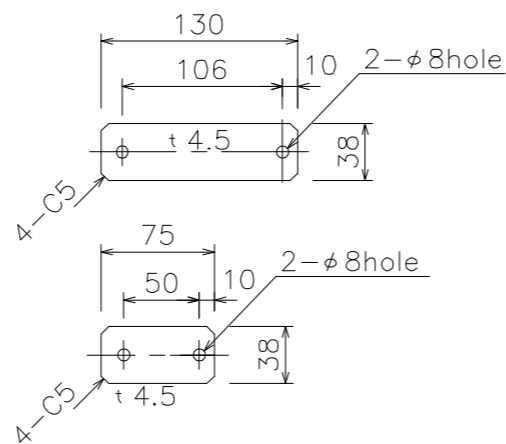


Screen fitting details(s=1/5)



Section A-A 1/2

*The horizontal frames are cut into the proper size, and bended by approx. 8mm/m.

- Screen Fabric : WF202
- Screen Frame : Aluminum A6063S-T5
- Surface Finish : Velvet covered
- Weight : 16.5Kg

NAME	Drawing PA-150L Curved Screen	DATE	AUG/2009
	PA-150LC-02		OS SCREEN