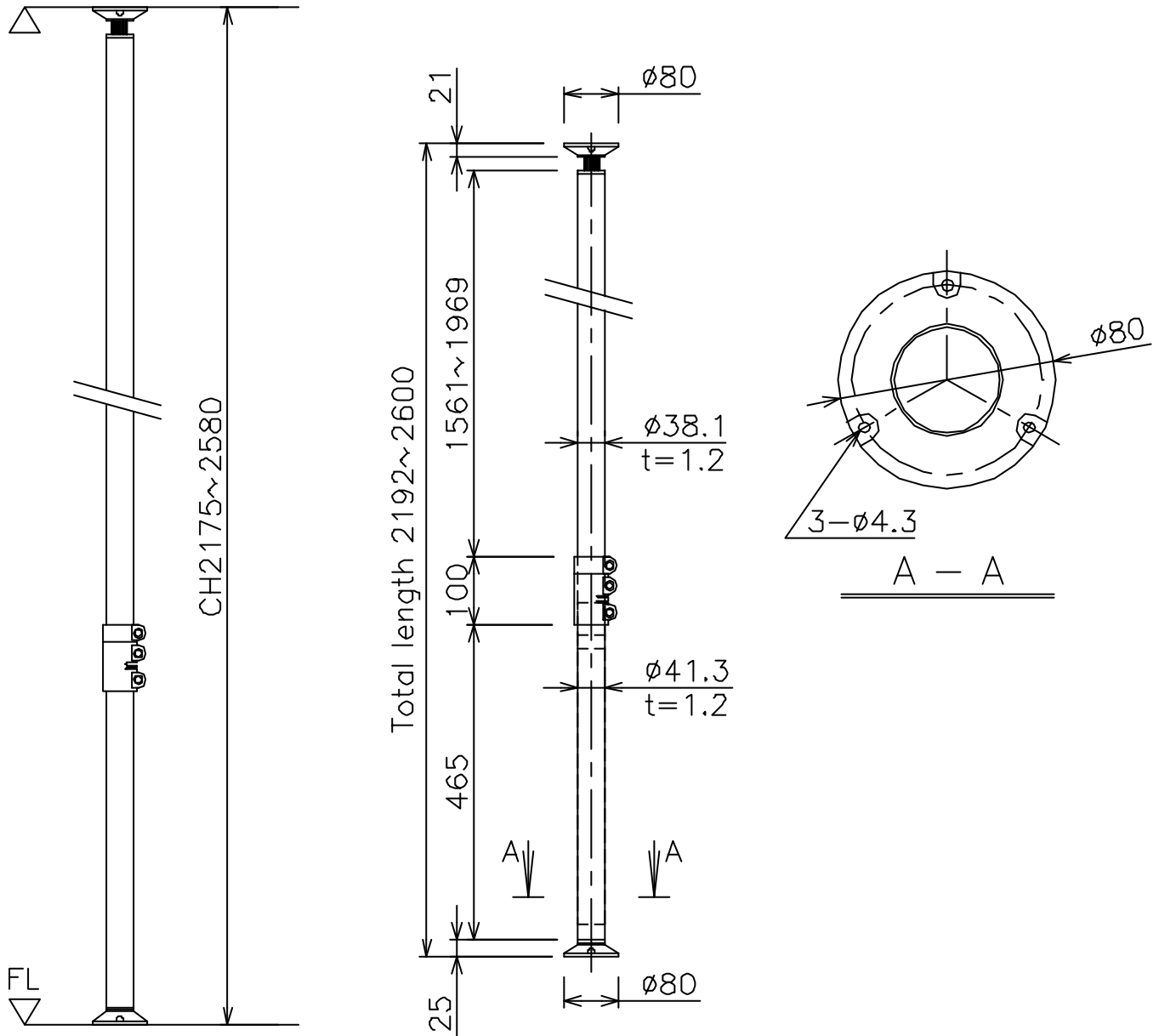


HISTORY	REVISION	DATE	SIGN.
△		.	.
△		.	.
△		.	.



Model	Color	Applicable ceiling heights (mm)	Weight (kg)
P1	Black	2175~2580	1.6
P1S	Silver		

NO.	PART NAME	DWG. NO	DESCRIPTION	Q'TY	MATERIAL
ANGLE	3rd	TOLERANCE	MATERIAL	NAME	
UNIT	mm		FINISH	P1/P1S	
SCALE	1/2		CODE NO	Extension Pole	
DRAWN BY	PLANNED BY	CHECKED BY	APPROVED BY	DWG. NO	14U0012 △
'05.04.14	.	'05.04.14	.	<b>OSI CO., LTD.</b>	